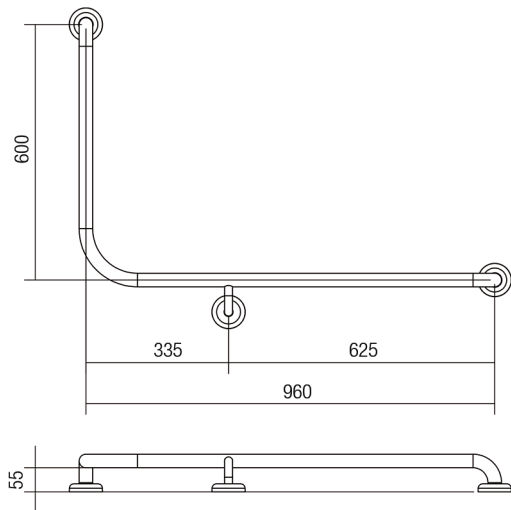


PRODUCT INFORMATION

DIMENSIONS



Drawn RH (Right Hand)

INDICATIVE IMAGE



CLAM FLANGE® - TOILET GRAB RAILS

Product Code - Finish

- CF 966 SS RH - Satin Supreme™

Product Code - Other Finishes

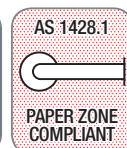
- CF 966 PS RH - Polish Supreme™
- CF 966 KG RH - Diamond Shur-Grip®
- CF 966 WT RH - White
- Other colours available with price on application (P.O.A.)

Features

- 960 mm x 600 mm
- 78 mm pre-formed domed CLAM FLANGE®
- Clam plate is fully welded to 32 mm rail for maximum strength
- Clam flange cover is a firm press fit to clam plate
- Fabricated from 304 stainless steel
- Inside of grab rail has been cleaned and free of unsanitary oil and dirt produced through fabrication processes
- Stainless steel fixing screws supplied

Compliance

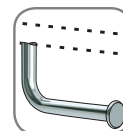
- Complies with clause 17 of AS 1428.1-2009 for design and construction of grab rails
- Complies with clause 15.2.7 of AS 1428.1-2009 for sanitary facilities



Optional Extras - Toilet Roll Holder



- TR 031



- TR 031 S
Factory Fitted

Warranty

See Con-Serv warranty policy for full details.

CON-SERV CORPORATION AUSTRALIA PTY. LTD.

17 Glentanna Street, Kedron · Qld. 4031 Australia

Phone: +61 (0)7 3630 5744 · Fax: +61 (0)7 3630 5755 · Email: mail@con-serv.com.au · www.con-serv.com.au