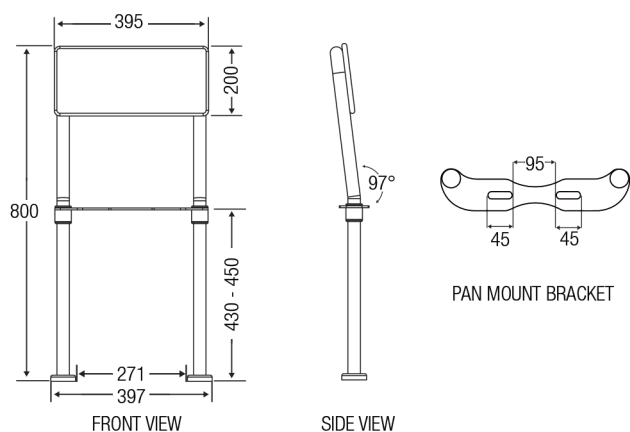


## PRODUCT INFORMATION

### DIMENSIONS



### FLOOR MOUNTED PWD BACKREST

#### Product Code - Finish

- BR 395 SS - Satin Supreme™

#### Product Code - Other Finishes

- BR 395 PS - Polish Supreme™

#### Features

- WC support device for disabled, aged and the infirmed
- Suits all standard accessible suites with conventional pans (not wall faced)
- Suits single PWD cubicle or combined PWD compartment featuring WC and shower recess grab rail
- Polar White UV stabilised HDPE rounded edge back support
- 78 mm pre-formed domed CLAM® Flange
- Fabricated from 32mm 304 stainless steel
- Stainless steel fixing screws supplied
- Satin Supreme™ finish
- Patent Number 2010100132

### INDICATIVE IMAGE



#### Compliance

- Complies with clause 15.2.4 of AS 1428.1-2009 for sanitary facilities



#### Warranty

See Con-Serv warranty policy for full details.

**CON-SERV CORPORATION AUSTRALIA PTY. LTD.**  
17 Glentanna Street, Kedron · Qld. 4031 Australia

Phone: +61 (0)7 3630 5744 · Fax: +61 (0)7 3630 5755 · Email: mail@con-serv.com.au · www.con-serv.com.au